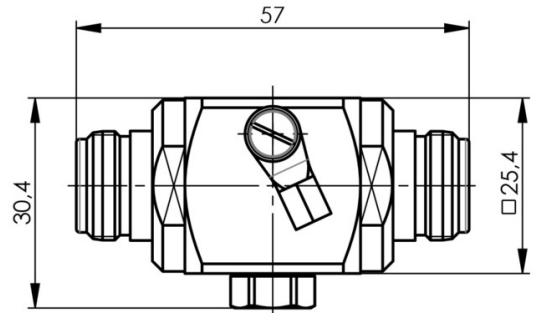


order number: J01028B0037

N Surge Suppressor f-f with gas discharge arrester 230 V



Fig. may differ



Technical Attributes	
Technical Information	230 V; 2.5 GHz; IP67
Remarks	f-f with gas discharge tube (exchangeable)
Assembly	B86

Description of the Series/Product Category

Notice: The following information refer to the series/product category as a whole. Please see the specific datasheet for specific technical information of a particular product.

To protect electronical devices Telegärtner offers a wide range of Surge Suppressors for series 7-16, N and F. Embedded in coaxial transmission lines it is possible to discharge high current pulses, for example caused by lightning strikes nearby.